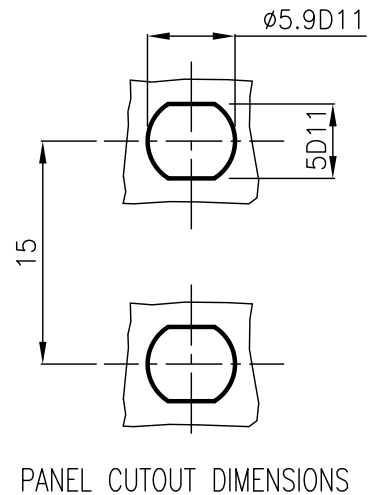
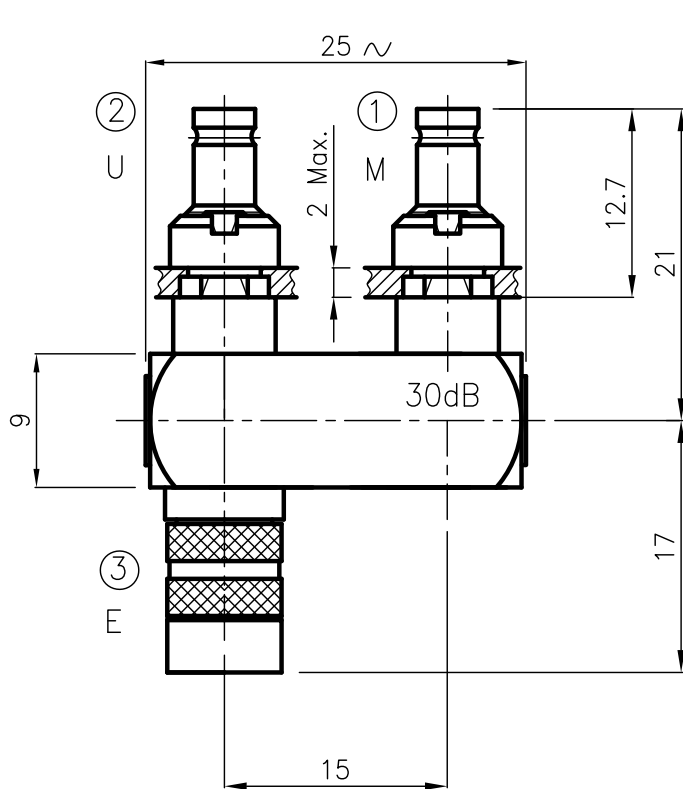
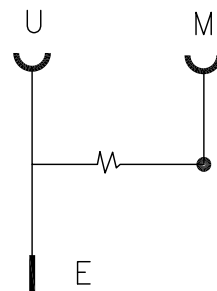


DIST.

A TERMINI DI LEGGE E' VIETATA LA RIPRODUZIONE O LA NOTIFICAZIONE DI QUESTO DISEGNO A TERZI SENZA AUTORIZZAZIONE



PANEL CUTOUT DIMENSIONS



SPECIFICATIONS

Mating and dimensions

as per CECC EN122230

MATING DIMENSIONS AND COUPLING TYPES

- Connector ① Socket
- Connector ② Socket
- Connector ③ Plug

- B,C,D
- B,C,D
- D

MATERIALS

- Body
- Male inner contacts
- Female inner contacts
- Insulators

- Brass
- Brass
- Beryllium copper
- PTFE (Teflon)

FINISH

- Inner contacts and outer plug contacts
- Contact surfaces of socket bodies
- Other metal parts

- Ni + Au
- Ni + Au
- Ni

ELECTRICAL

- Impedance
- Frequency range
- Coupler to port (M)
- Insertions loss main line
- Return loss ports (E) - (U)

- 75 Ohm
- DC ÷ 200 MHz
- 20 dB ± 0.2
- ≤0.5 dB
- ≥20 dB

MOD. 101

			DENOMINAZIONE		
			1.0/2.3 SERIES U-LINK		
			SOCKET TO PLUG WITH SOCKET TEST POINT (30 dB)		
/	ISSUED	28.02.03	SCALA	1 : 1	CONTR. CUCCHI M.
REV.	N° MOD.	DATA	FILE	BAT0108C	APPROV. CUCCHI I.
			DATA 28.02.03		



N° CODICE  
**BAT.01.008**

DIS. ARONICA R.