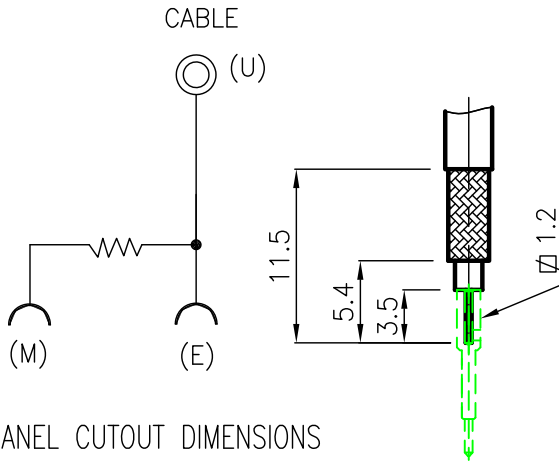
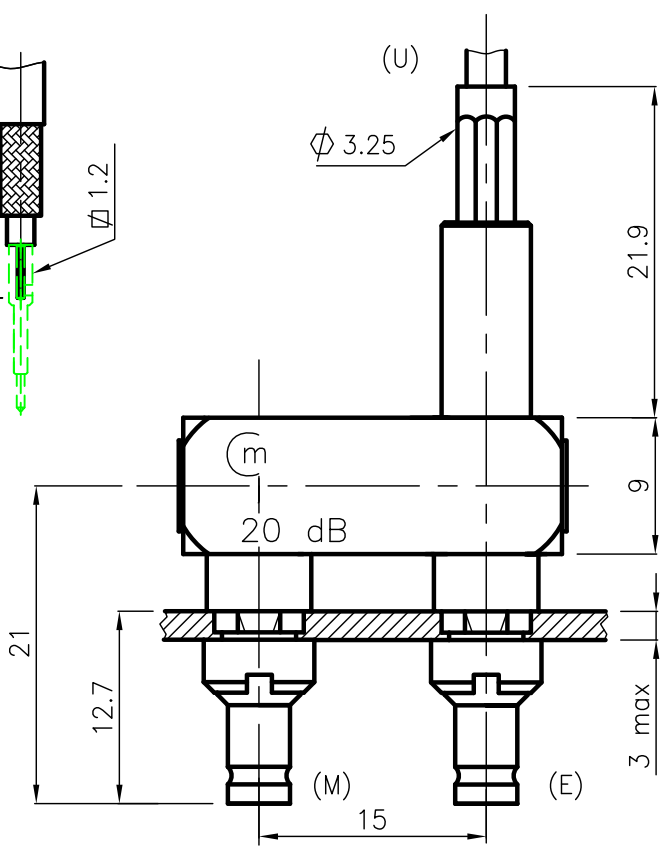
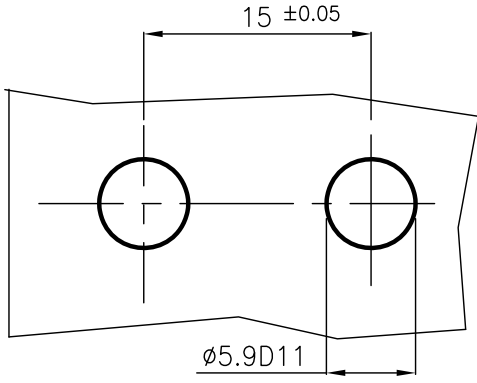


DIST.

A TERMINI DI LEGGE E' VIETATA LA RIPRODUZIONE O LA NOTIFICAZIONE DI QUESTO DISEGNO A TERZI SENZA AUTORIZZAZIONE



PANEL CUTOUT DIMENSIONS



SPECIFICATIONS

Mating and dimensions

as per CECC EN122230  
coupling types B,C,D

MATERIALS

Male inner contacts  
Body  
Female inner contacts  
Insulators

Brass  
Brass  
Beryllium copper  
PTFE (Teflon)

FINISH

Inner contacts and outer plug contacts  
Contact surfaces of socket bodies  
Other metal parts

Ni + Au  
Ni + Au  
Ni

ELECTRICAL

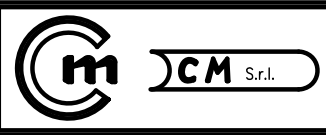
Nominal impedance  
Frequency range  
Insertions loss on main line (E) (U)  
Coupling to measure port (M)  
Return loss to port (E) (M)

75 Ohm  
50 KHz ÷ 200 MHz  
≤ 0.6 dB  
20 dB ± 0.5  
≥ 23 dB

CRIMPING TOOL : CMC.702/13 , CMC.702/17 , CMC.702/118  
CMC.702/19 , CMC.702/21

MOD. 101

			DENOMINAZIONE		
			75 Ohm - 1.0/2.3 SERIES - 20 dB		
			U-LINK - SOCKET-SOCKET- CABLE 0,25/1,45/2,6		
SCALA		2:1	CONTR. CUCCHI I.		DATA 21.05.03
FILE		BPP0302C	APPROV. CUCCHI M.		DIS. ARONICA R.
ISSUED	21.05.03				
REV.	N° MOD.	DATA			



N° CODICE  
**BPP.03.002**