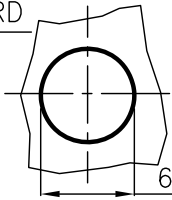


DIST.

A TERMINI DI LEGGE E' VIETATA LA RIPRODUZIONE O LA NOTIFICAZIONE DI QUESTO DISEGNO A TERZI SENZA AUTORIZZAZIONE SCRITTA.

PANEL CUTOUT DIMENSIONS

STANDARD



6.2 D11

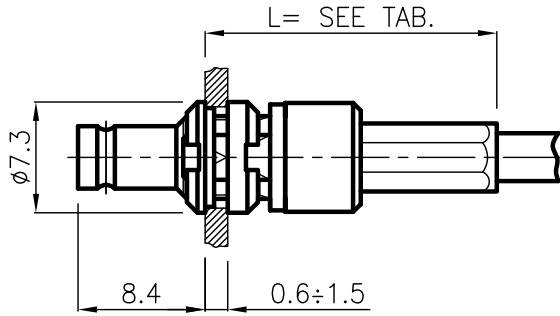


FIG. (A)

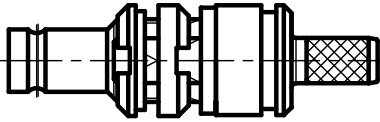
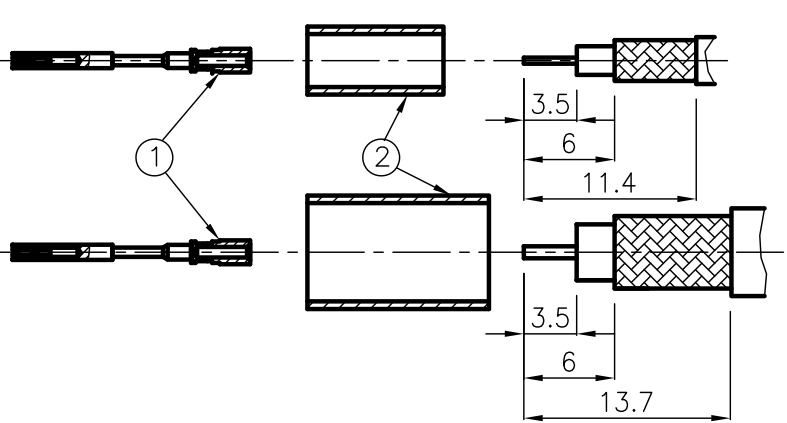
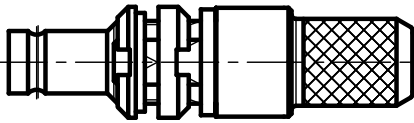


FIG. (B)



SPECIFICATIONS


Mating and dimensions as per CEI CECC EN 122230 Type B,C,D

MATERIALS AND FINISH

Body	CW 614 N ( UNI EN 12164 )	Au
Socket inner contact	Beryllium copper	Au
Insulator	PTFE	
Other metal parts	CW 614 N ( UNI EN 12164 )	Ni
Crimping ferrules	Soft copper	Ni

CODE	CABLE	L=mm	FIG.	① CRIMP CONTACT	② CRIMP FERRULE
BPD.51.001	2YCCY 0.4/2.5	19	A	1.2	5.41
BPD.51.002	2YCY 0.4/2.5	19	A	1.2	--
BPD.51.003	RG 179B/U ; RG 187A/U	19	A	1.2	3.2
BPD.51.004	ST 121	19	A	1.2	--
BPD.51.005	ST 212	19	A	1.2	3.8
BPD.51.006	ST 214	22	B	1.2	6.8
BPD.51.007	ø3 TEL.	19	A	1.2	--
BPD.51.008	RG 188A/U ; RG 316/U	19	A	1.2	--

NOTE STANDARD PACKING 100 PCS./BAG

			DENOMINAZIONE			
			75 Ohm - 1.0/2.3 SERIES COAXIAL CONNECTOR STRAIGHT SOCKET WITH FULL CRIMP ATTACHMENT			
/ ISSUED		28.06.00	SCALA 2:1	CONTR.	DATA 28.06.00	N° CODICE
REV.	N° MOD.	DATA	FILE BPD510XC	APPROV. A.Q.	DIS.	<b>BPD.51.0XX</b>

MOD. 101C