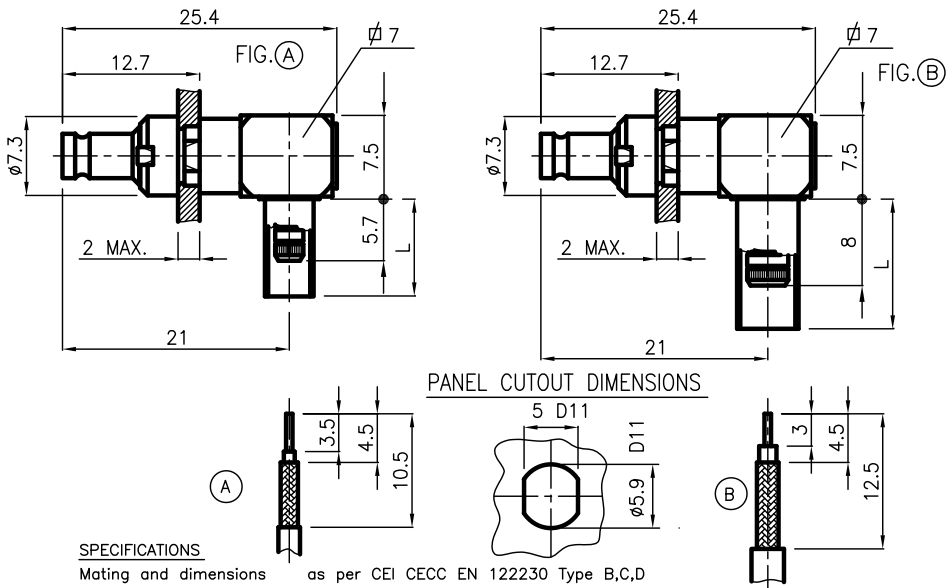


DIST.

A TERMINI DI LEGGE E' VIETATA LA RIPRODUZIONE O LA NOTIFICAZIONE DI QUESTO DISEGNO A TERZI SENZA AUTORIZZAZIONE



SPECIFICATIONS

Mating and dimensions as per CEI CECC EN 122230 Type B,C,D

MATERIALS AND FINISH

Body	CW 614 N as per UNI EN 12164	Ni + Au
Female inner contact	Beryllium copper	Au
Crimping ferrules	Soft copper	Ni
Insulators	PTFE	
Other metal parts	CW 614 N as per UNI EN 12164	Ni

CODE	CABLE	FIG.	L	CRIMP. FERRULE	ASSEMBLY INSTRUCTIONS
BPG.51.701	FLEX 5/75	A	9	5.41	B 2/1-4
BPG.51.702	RG 179B/U ; RG 187A/U ; FLEX 2/75	A	9	3.25	B 2/1-1
BPG.51.703	2YCCY 0.4/2.5	A	9	5.41	B 2/1-5
BPG.51.704	ST 212 ; R1-T 2.0 LI-75K	A	9	3.8	B 2/1-2
BPG.51.705	ST 214 ; R1-T 3.7 LI-75K ; RG 59B/U	B	12	6.8	B 2/2-1
BPG.51.706	2YCY 0.4/2.5 ; L910/39	A	9	4.52	B 2/1-3
BPG.51.707	3C-2V	B	12	6.8	B 2/2-1
BPG.51.708	2YCY 0.7/4.4 ; FLEX 7/75	B	12	8.23	B 2/2-2
BPG.51.709	2YC(ms)CY 0.4/2.5	A	9	5.41	B 2/1-5
BPG.51.710	SPEC. Ø0.3/2/3.6	A	9	4.52	B 2/1-3
BPG.51.711	FLEX 6/75	B	12	6.48	B 2/2-3
BPG.51.712	FLEX 3/75	A	9	4.52	B 2/1-3
BPG.51.713	BT 3002 ; EV1CH 0.315/1.95	A	9	4.06	B 2/1-6
BPG.51.714	(SOSTITUITO DA BPG.51.702)	A	9	3.25	B 2/1-1
BPG.51.715	BT2003	B	12	6.8	B 2/2-1
BPG.51.716	ST 121 ; RA 7000	A	9	5.41	B 2/1-4
BPG.51.717	SINGLE DRAWING				
BPG.51.718	104-104/04	A	9	3.8	B 2/1-2
BPG.51.719	ST 212 + BT 3002	A	9	3.8/4.06	B 2/1-2+B 2/1-6
BPG.51.720	ST 779	A	12	4.52	B 2/1-4
BPG.51.721	TZE 102 7322/02	A	9	3.25	B 2/1-1
BPG.51.722	SYV-75-2-2 YOURONG OPTICOM	B	9	4.52	B 2/2-1
BPG.51.723	0,25/1,45/2,60 - TZE 102 7121	A	9	3.25	B 2/1-1

CRIMPING TOOL CODE : CMC.702/XX

Pg1/2

MOD. 101

DENOMINAZIONE		75 Ohm 1.0/2.3 SERIES COAXIAL CONNECTOR RIGHT - ANGLE SOCKET WITH CRIMP ATTACHMENT			
SCALA	1 : 1	CONTR.	DATA	04.01.91	N° CODICE
ISSUED	13.06.00	APPROV. A.Q.	DIS.		BPG.51.7XX
REV.	N° MOD.	DATA	FILE	BPG517XC	

DIST.

A TERMINI DI LEGGE E' VIETATA LA RIPRODUZIONE O LA NOTIFICAZIONE DI QUESTO DISEGNO A TERZI SENZA AUTORIZZAZIONE

CODE	CABLE	FIG.	L	CRIMP. FERRULE	ASSEMBLY INSTRUCTIONS
BPG.51.724	TZC 752 1001	B	12	6.48	B 2/2-1
BPG.51.725	1.,5C-2V	A	9	3.8	B 2/1-2
BPG.51.726	SINGLE DRAWING	A	9	3.25	B 2/1-1
BPG.51.727	0.32/1.3/2.5	A	9	3.25	B 2/1-1

MOD. 101

DENOMINAZIONE		75 Ohm 1.0/2.3 SERIES COAXIAL CONNECTOR RIGHT - ANGLE SOCKET WITH CRIMP ATTACHMENT			
SCALA	1 : 1	CONTR.	DATA	04.01.91	N° CODICE
ISSUED	13.06.00	APPROV. A.Q.	DIS.		BPG.51.7XX
REV.	N° MOD.	DATA	FILE	BPG517XC	

Pg2/2