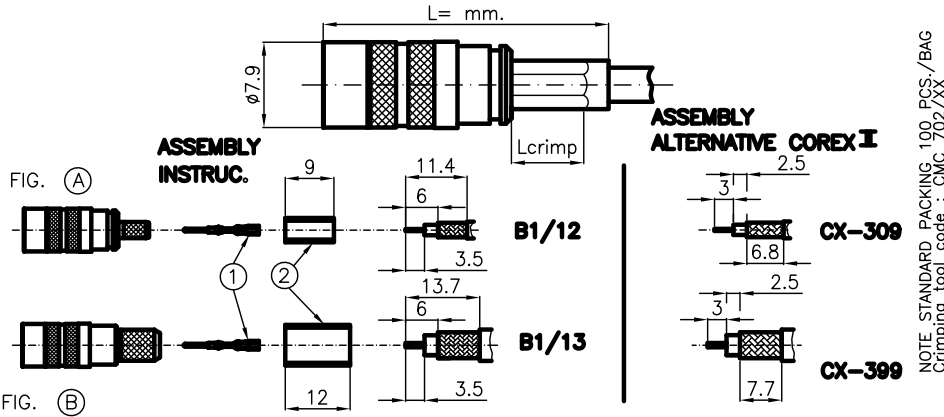


DIST.
PDF

A TERMINI DI LEGGE E' VIETATA LA RIPRODUZIONE O LA NOTIFIAZIONE DI QUESTO DISEGNO A TERZI SENZA AUTORIZZAZIONE SCRITTA.



NOTE STANDARD PACKING 100 PCS./BAG
Crimping tool code : CMC 702/XX

SPECIFICATIONS

Mating and dimensions as per CECC122230 our Type D(PUSH PULL)

MATERIALS AND FINISH

Body	Brass	Ni
Plug inner contact	Beryllium copper	Au
Outer plug contact	Beryllium copper	Au
Insulator	PTFE	
Other metal parts	Brass	Ni
Crimping ferrules	Soft copper	Ni

CODE	CABLE	L=mm	FIG.	① CRIMP CONTACT	② Ø CRIMP Lcrimp
BSD.55.801	RG 179B/U ; RG 187B/U RA 8000	26.5	A	1.2	Ø 3.25 L 8
BSD.55.802	ST 212/1 ; ST212/2 R1-T 2.0 LI-75K	26.5	A	1.2	Ø 3.8 L 8
BSD.55.803	ST 214/1 ; ST 214/2 R1-T 3.7 LI-75K	29.5	B	1.2	Ø 6.8 L10
BSD.55.804	ST 212/3	—	—	—	— L10
BSD.55.805	3C-2V	29.5	B	1.2	Ø 6.8 L 8
BSD.55.806	BT 3002 ; TZC75024 ; EV1CH0.315/1.95	26.5	A	1.2	Ø 4.06 L 8
BSD.55.807	FLEX 2/75	SUBSTITUTE OF BSD.55.710			
BSD.55.808	02Y(ST)CY 0.45/2,0-75 - FLEX3/75	26.5	A	1.2	Ø 4.52 L 8
BSD.55.809	FLEX 5/75	SUBSTITUTE OF BSD.55.708			
BSD.55.810	AMPHENOL SAT. ø3.8 L910/39 ; 1AC005100001 ST 121 ; RA 7000	26.5	A	1.2	Ø 5.41 L 8
BSD.55.811	RG 59B/U	29.5	B	1.2	Ø 6.8 L10
BSD.55.812	3C-2W	29.5	B	1.2	Ø 6.8 L10
BSD.55.813	ST 779	29.5	B	1.2	Ø 4.52 L10
BSD.55.814	2YCY0.4/2,5	26.5	A	1.2	Ø 4.52 L 8
BSD.55.815	104-104/04	26.5	A	1.2	Ø 3.8 L 8
BSD.55.816	K02253-D-02	26.5	A	1.2	Ø 3.25 L 8
BSD.55.817	2YC(MS)CY 0.5/3,0	29.5	B	1.2	Ø 6.8 L10
BSD.55.818	2,5C-2V	29.5	B	1.2	Ø 4.52 L10
BSD.55.819	FLEX 3.9/75	SUBSTITUTE OF BSD.55.718			
BSD.55.820	2YCCY 0.4/2.5	26.5	A	1.2	Ø 5.41 L 8
BSD.55.821	TZE 102 7322/02	26.5	A	1.2	Ø 3.25 L 8
BSD.55.822	0,25/1,45/2,60 - ST823	26.5	A	1.2	Ø 3.25 L 8
BSD.55.823	SYV-75-2-2 YOURONG OPTICOM	26.5	A	1.2	Ø 4.52 L 8
BSD.55.824	CABLE GREY 0.4/2.5/4.6	(SEE SINGLE DRAWING)			

DENOMINAZIONE
75 Ohm - 1.0/2.3 PUSH PULL CONNECTOR
STRAIGHT PLUG WITH FULL CRIMP ATTACHMENT
(Frequency Range: 0+2 GHz)

SCALA 2 : 1
DATA 14.03.00
N° CODICE
BSD.55.8XX

01 ISSUED 09.02.01
FILE BSD558XC1
APPROV. A.G. CUCCHI M

DIST.

A TERMINI DI LEGGE E' VIETATA LA RIPRODUZIONE O LA NOTIFIAZIONE DI QUESTO DISEGNO A TERZI SENZA AUTORIZZAZIONE SCRITTA.

CODE	CABLE	L=mm	FIG.	① CRIMP CONTACT	② Ø CRIMP Lcrimp
BSD.55.826	TZC 750 05	29.5	B	1.2	Ø 6.48 L10
BSD.55.827	H121; SAT501	29.5	B	1.2	Ø 5.41 L10
BSD.55.828	0,23/1,5/2,70	26.5	A	0.7	Ø 3.25 L 8
BSD.55.829	FLEX 6/75	29.5	B	1.2	Ø 6.48 L10
BSD.55.830	Draka 0.8/3.7	29.5	B	1.2	Ø 6.8 L10
BSD.55.831	BELDEN 1855 - BELDEN 1855 ENH	(SEE SINGLE DRAWING)			
BSD.55.832	BELDEN H133	26.5	A	1.2	Ø 3.25 L 8
BSD.55.833	0,4/2,4/4,07	29.5	B	1.2	Ø 4.52 L10
BSD.55.834	RD 179	26.5	A	1.2	Ø 3.8 L 8
BSD.55.835	DRAKA 0.41/1.9	26.5	A	1.2	Ø 3.8 L 8

DENOMINAZIONE
75 Ohm - 1.0/2.3 PUSH PULL CONNECTOR
STRAIGHT PLUG WITH FULL CRIMP ATTACHMENT
(Frequency Range: 0+2 GHz)

SCALA 2 : 1
DATA 14.03.00
N° CODICE
BSD.55.8XX

01 ISSUED 09.02.01
FILE BSD558XC1
APPROV. A.G. CUCCHI M

MOD. 1016

MOD. 1016

pa27