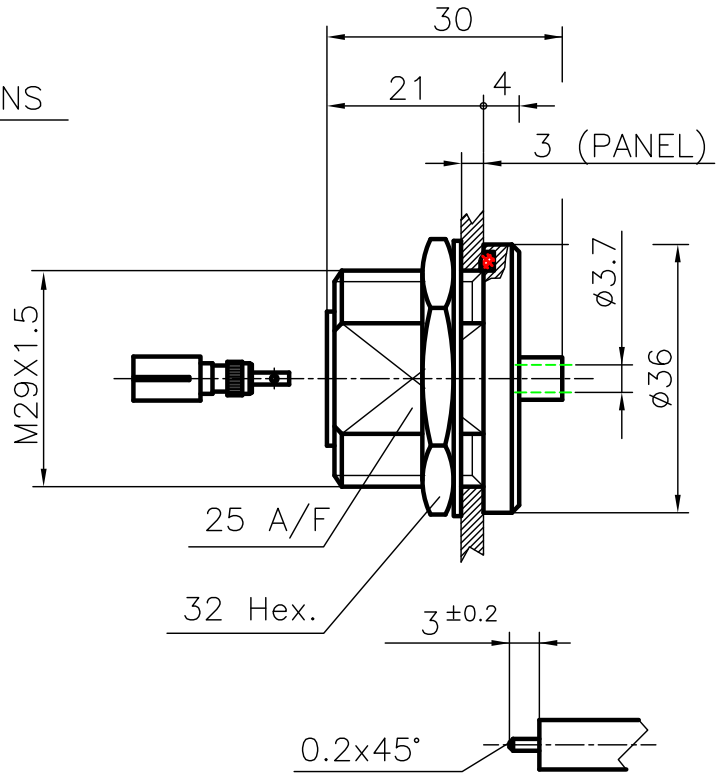
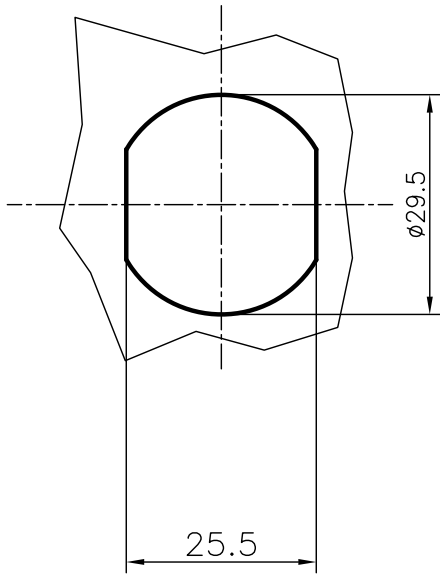


DIST.

A TERMINI DI LEGGE E' VIETATA LA RIPRODUZIONE O LA NOTIFICAZIONE DI QUESTO DISEGNO A TERZI SENZA AUTORIZZAZIONE

PANEL CUTOUT DIMENSIONS



SPECIFICATIONS

Mating and dimensions

as per CECC 22190

ELECTRICAL

Frequency range  
V.S.W.R.

DC to 11 GHz  
 $\geq 1.064$  up to 4 GHz  
 $\geq 1.15$  up to 7 GHz  
 $\geq 1.22$  up to 11 GHz

MATERIALS AND FINISH


Body  
Center Contact  
Insulator  
Gasket  
Other metal parts

Brass, ISO CuZn40Pb2 Ag 8  $\mu$  min.  
 Beryllium copper Ag 8  $\mu$  min.  
 PTFE  
 Silicone rubber  
 Brass, ISO CuZn40Pb2 Ni 5  $\mu$

ASSEMBLY INSTRUCTIONS : R 1/10

FOR CABLE : UT 0.141"

MOD. 101

		DENOMINAZIONE			
		50 Ohm - 7/16 SERIES CONNECTOR STRAIGHT SOCKET - FULL SOLDER			
		SCALA 1 : 1	CONTR.	DATA 29.04.99	N° CODICE
REV.	N° MOD.	DATA	FILE RPD1417C	APPROV. A.Q.	DIS.
					<b>RPD.141.R07</b>