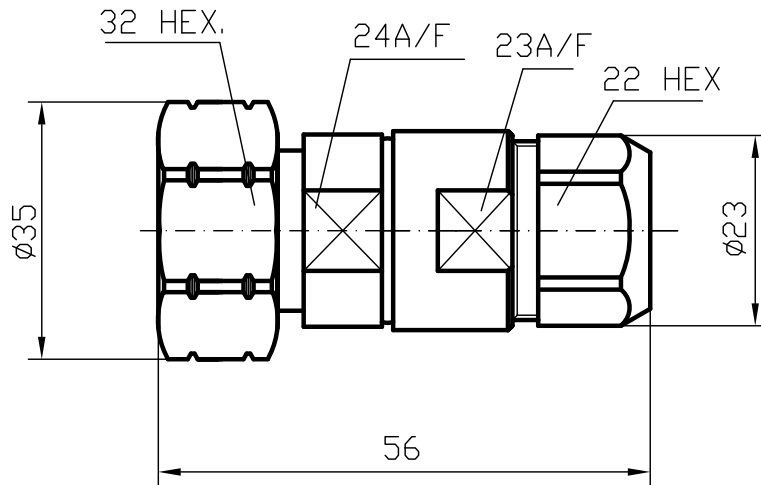


DIST.

A TERMINI DI LEGGE E' VIETATA LA RIPRODUZIONE O LA NOTIFICAZIONE DI QUESTO DISEGNO A TERZI SENZA AUTORIZZAZIONE SCRITTA.



SPECIFICATIONS

Mating and dimensions as per CECC 22190

MATERIALS AND FINISH

| | | |
|-------------------------|----------------------|-------|
| Body and center contact | Brass, ISO CuZn40Pb2 | Ag 8μ |
| Contact spring | Beryllium copper | Ag 8μ |
| Insulator | PTFE (Teflon) | |
| Gasket | Silicon rubber | |
| Other metal parts | Brass, ISO CuZn40Pb2 | Ni 5μ |

FOR CABLES : 1/2" FOAM DIELECTRIC CABLE

MADE BY : ANDREW


ACOME

EUPEN

KABELMETAL

ASSEMBLY INSTRUCTIONS : R1/5

MOD. 101C

| | | | | | | |
|-------------|----------------|-------------|--|---------------------|----------------------|---|
| | | | DENOMINAZIONE | | |  |
| | | | 50 Ohm - 7/16 SERIES CONNECTOR STRAIGHT PLUG FOR 1/2" SUPERFLEXIBLE CABLE | | | |
| 01 | CUCCHI | 120.10.03 | SCALA / | CONTR. | DATA 22.06.01 | N° CODICE |
| / | EMESSO | 22.06.01 | FILE RSD12S3C | APPROV. A.Q. | DIS. | RSD. 012. S03 |
| REV. | N° MOD. | DATA | | | | |