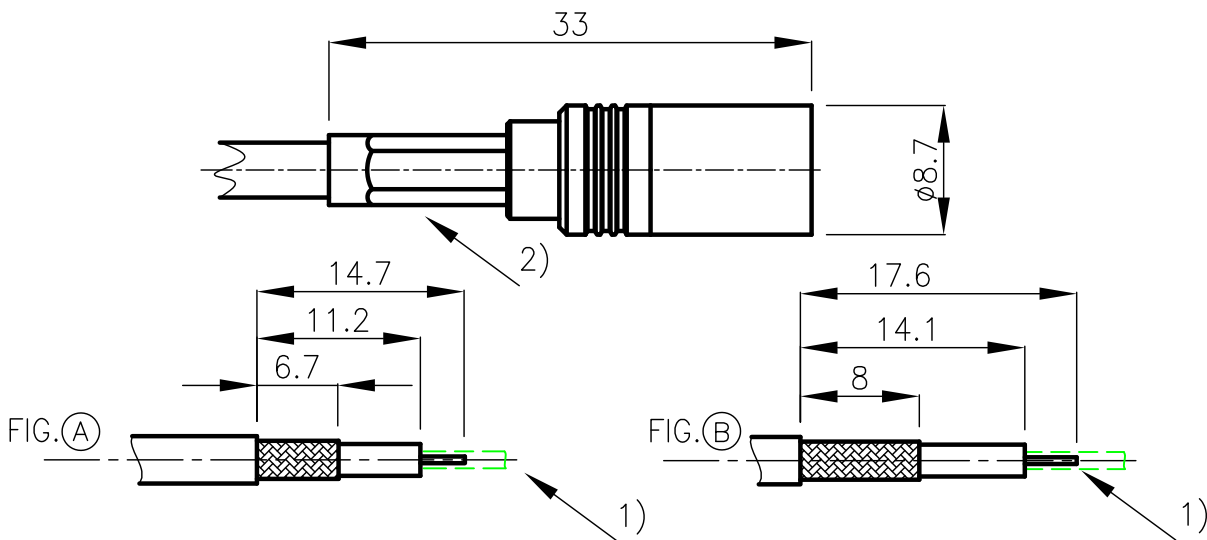


DIST.

A TERMINI DI LEGGE E' VIETATA LA RIPRODUZIONE O LA NOTIFICAZIONE DI QUESTO DISEGNO A TERZI SENZA AUTORIZZAZIONE



**SPECIFICATIONS**

Mating and dimensions as per BS 9210 – BT 43 Type **SNAP-ON VERSION**

**MATERIALS AND FINISH**

Body nuts & sleeves	Brass	Ni
Male inner contacts	Cu Be	Au
Resilient outer male contact	Bronze	Au
Crimping ferrules	Soft copper	Ni
Insulators	PTFE	PTFE

CODE	CABLE	FIG.	<sup>1</sup> CRIMP. CONTACT	<sup>2</sup> CRIMP. EXTERNAL
USD.51.001	ST 212	A	1.2	3.8
USD.51.002	RG59 B/U	B	1.2	6.8
USD.51.003	BT 3002	A	1.2	4.06
USD.51.004	RG179 B/U–RG187 B/U	A	1.2	3.2
USD.51.005	ST 214	B	1.2	6.8
USD.51.006	FLEX 2/75	A	1.2	3.25
USD.51.007	FLEX 3/75	A	1.2	4.52
USD.51.008	FLEX 5/75	A	1.2	5.41
USD.51.009	FLEX 6/75	B	1.2	6.48
USD.51.010	BT 2003	B	1.2	6.8
USD.51.011	ST 121–RA 7000	A	1.2	5.41

USING CRIMPING TOOLS CMC.702/XX

DENOMINAZIONE  
BT43 SERIES COAXIAL CONNECTOR 75 Ohm  
STRAIGHT SOCKET FULL CRIMP



01	Torti E	11.12.03	SCALA 2 : 1	CONTR.	DATA 05.09.00
REV.	N° MOD.	DATA	FILE USD51XXC-1	APPROV. A.Q.	DIS.

N° CODICE  
**USD.51.00X**

MOD. 101