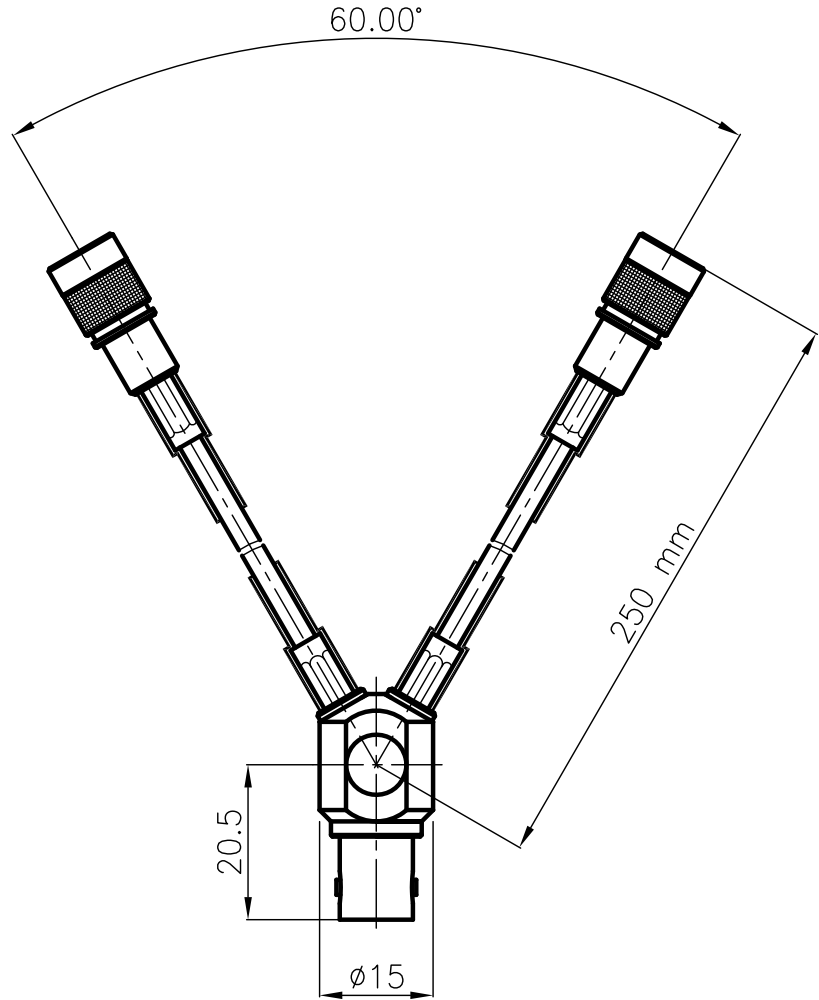


DIST.

A TERMINI DI LEGGE E' VIETATA LA RIPRODUZIONE O LA NOTIFICAZIONE DI QUESTO DISEGNO A TERZI SENZA AUTORIZZAZIONE



SPECIFICATIONS

Mating and dimensions as per CECC 22120 and BT 43

ELECTRICAL

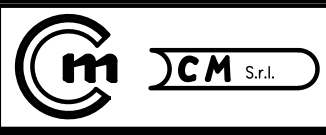
Frequency range 0÷500 MHz

NOTE : The cable not utilized can stay free up to 20 MHz;
over it needs a 75 Ohm terminal.

MATERIALS AND FINISH

Body	Brass, ISO Cu Zn40 Pb2	Ni
Inner contact (BT 43)	Bronze	Au
Inner contact (BNC)	Beryllium copper	Ag
Insulator	PTFE	
Crimp ferrule	Soft copper	Ni
Other metal parts	Brass, ISO Cu Zn40 Pb2	Ni
Cable	ST212	

DENOMINAZIONE		
75 Ohm ADAPTER Y SERIES BNC – SOCKET BT 43 – PLUG – PLUG		
SCALA	2 : 1	CONTR.
DATA	28.10.98	
FILE	UTR0101C	APPROV. A.Q.
DIS.		



N° CODICE
UTR.01.001

MOD. 101