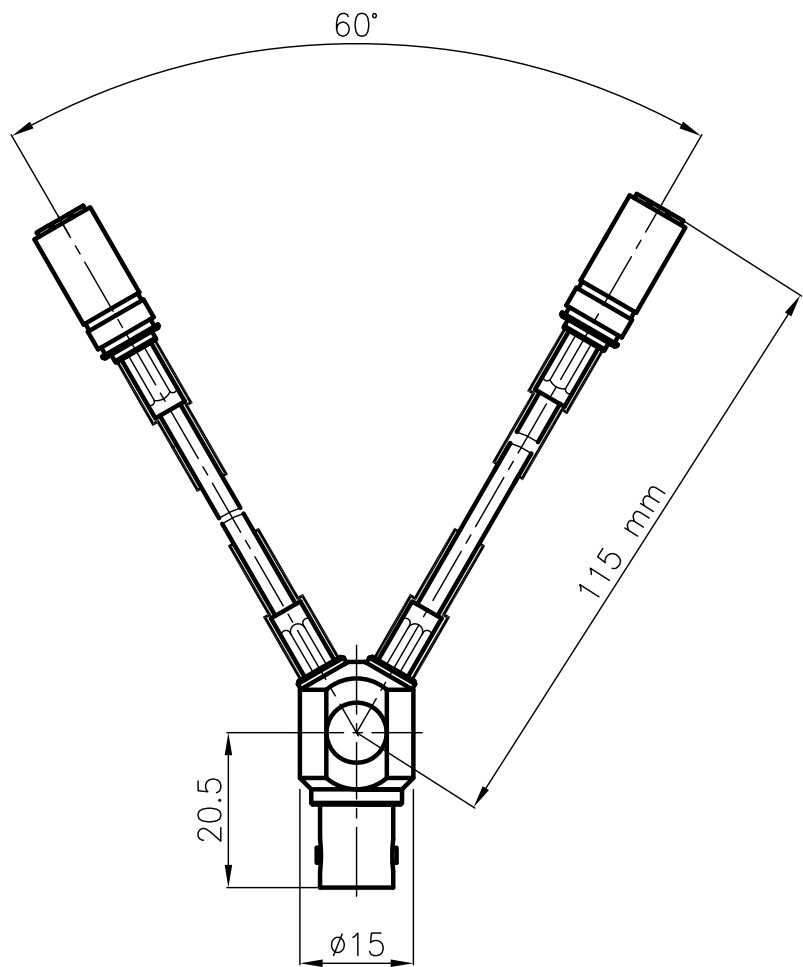


DIST.

A TERMINI DI LEGGE E' VIETATA LA RIPRODUZIONE O LA NOTIFICAZIONE DI QUESTO DISEGNO A TERZI SENZA AUTORIZZAZIONE



SPECIFICATIONS

Mating and dimensions as per BS 9210 and BT 43  
ELECTRICAL as per CECC 22120 and BNC

Frequency range 0÷500 MHz

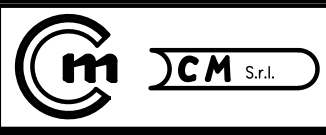
NOTE : The cable not utilized can stay free up to 20 MHz;  
 over it needs a 75 Ohm terminal.

MATERIALS AND FINISH

Body	Brass	Ni
Inner contact (BT 43)	Spring Bronze	Au
Inner contact (BNC)	Beryllium Copper	Ag
Insulator	PTFE	
Crimp ferrule	Soft Copper	Ni
Other metal parts	Brass	Ni
Cable	RG 179B/U	

MOD. 101

		DENOMINAZIONE	
		75 Ohm ADAPTER Y SERIES BNC – SOCKET BT 43 – PLUG – PLUG	
SCALA 1 : 1		CONTR. CUCCHI I.	DATA 23.07.03
FILE UTR0103C		APPROV. A.Q. CUCCHI M.	DIS. Torti E
REV.	N° MOD.	DATA	
/	ISSUED	23.07.03	



N° CODICE  
**UTR.01.003**