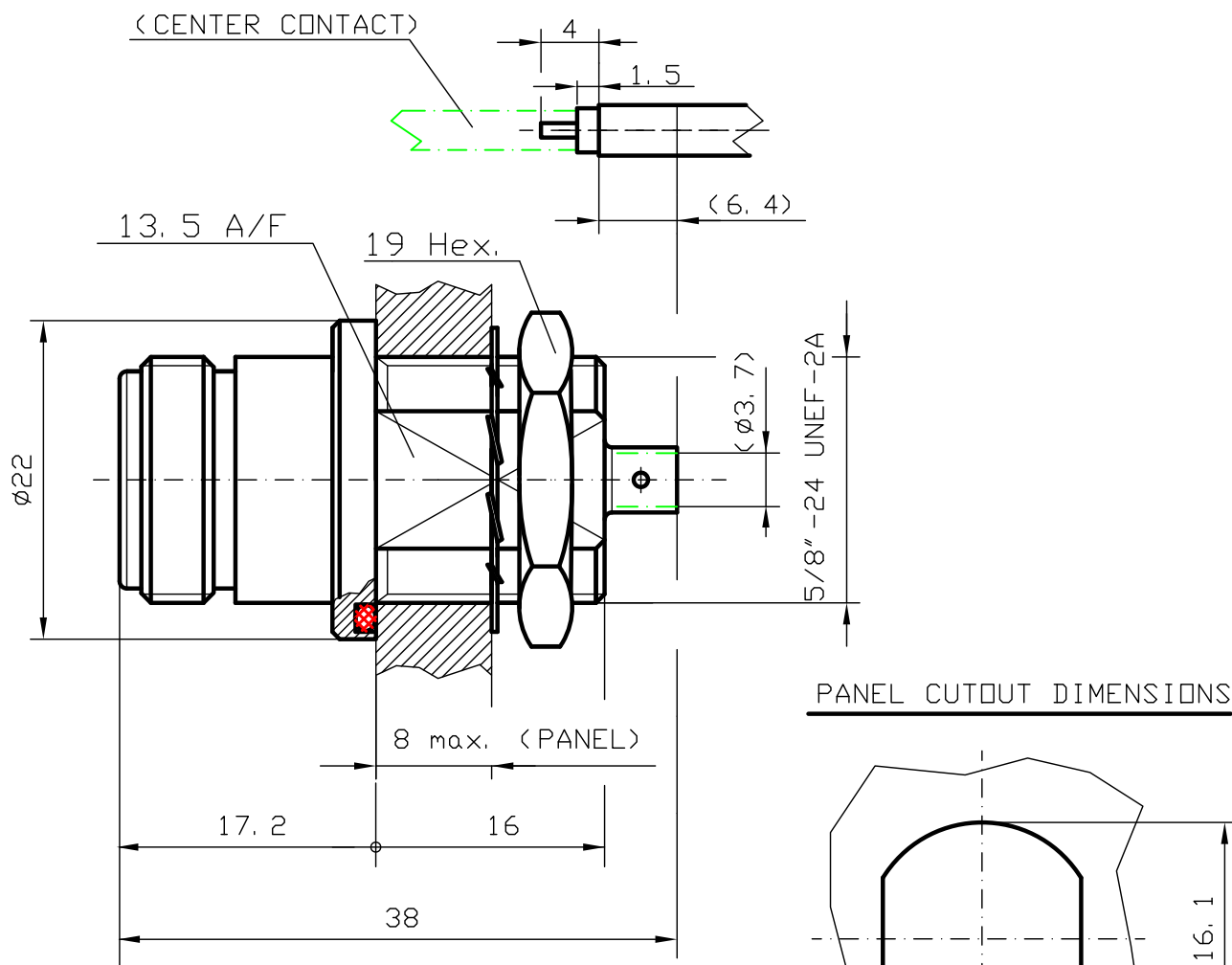
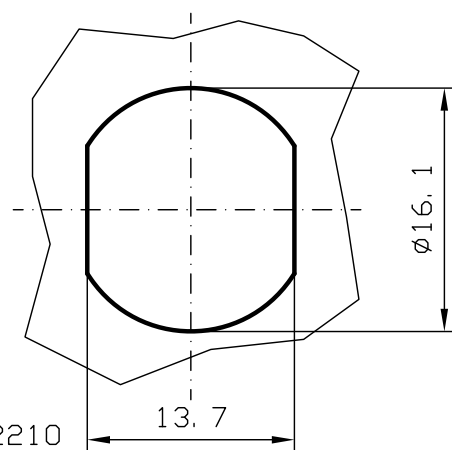


DIST.

A TERMINI DI LEGGE E' VIETATA LA RIPRODUZIONE O LA NOTIFICAZIONE DI QUESTO DISEGNO A TERZI SENZA AUTORIZZAZIONE SCRITTA.



PANEL CUTOUT DIMENSIONS



SPECIFICATIONS

Mating and dimensions as per CECC 22210


ELECTRICAL CHARACTERISTICS

VSWR	DC+6.0 GHz	≤ 1.04	(≥ 34 dB)
	6.0+10 GHz	≤ 1.06	(≥ 30 dB)
	10+12.4 GHz	≤ 1.08	(≥ 28 dB)

MATERIALS AND FINISH

Body and locknut	Brass, ISO Cu Zn40 Pb2	White Bronze
Center contact	Beryllium copper	Au
Insulator	PTFE	
Shakeproof washer	Bronze	Ni
Gasket	Silicone rubber	

MOD. 101C

			<b>DENOMINAZIONE</b> 50 Ohm. - N SERIES COAXIAL CONNECTOR BULKHEAD STRAIGHT SOCKET FOR 0.141" COAXIAL CABLE				
			<b>SCALA</b> 2.1	<b>CONTR.</b>	<b>DATA</b> 04.11.96	<b>N° CODICE</b>	
<b>Q1</b> Lorenzon	<b>ISMS</b>		<b>FILE</b> NPD6101C	<b>APPROV. A.G.</b>	<b>DIS.</b> T. E.	<b>NPD. 61. 001</b>	
<b>REV.</b>	<b>N° MOD.</b>	<b>DATA</b>					