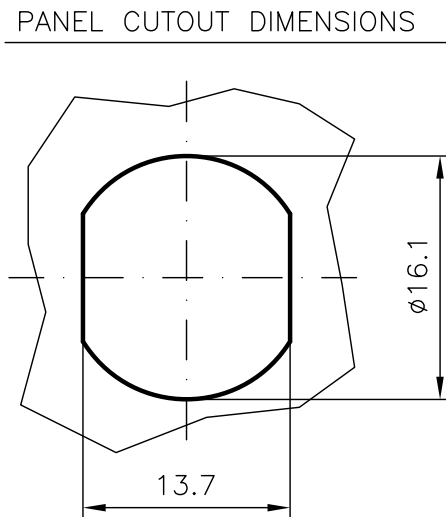
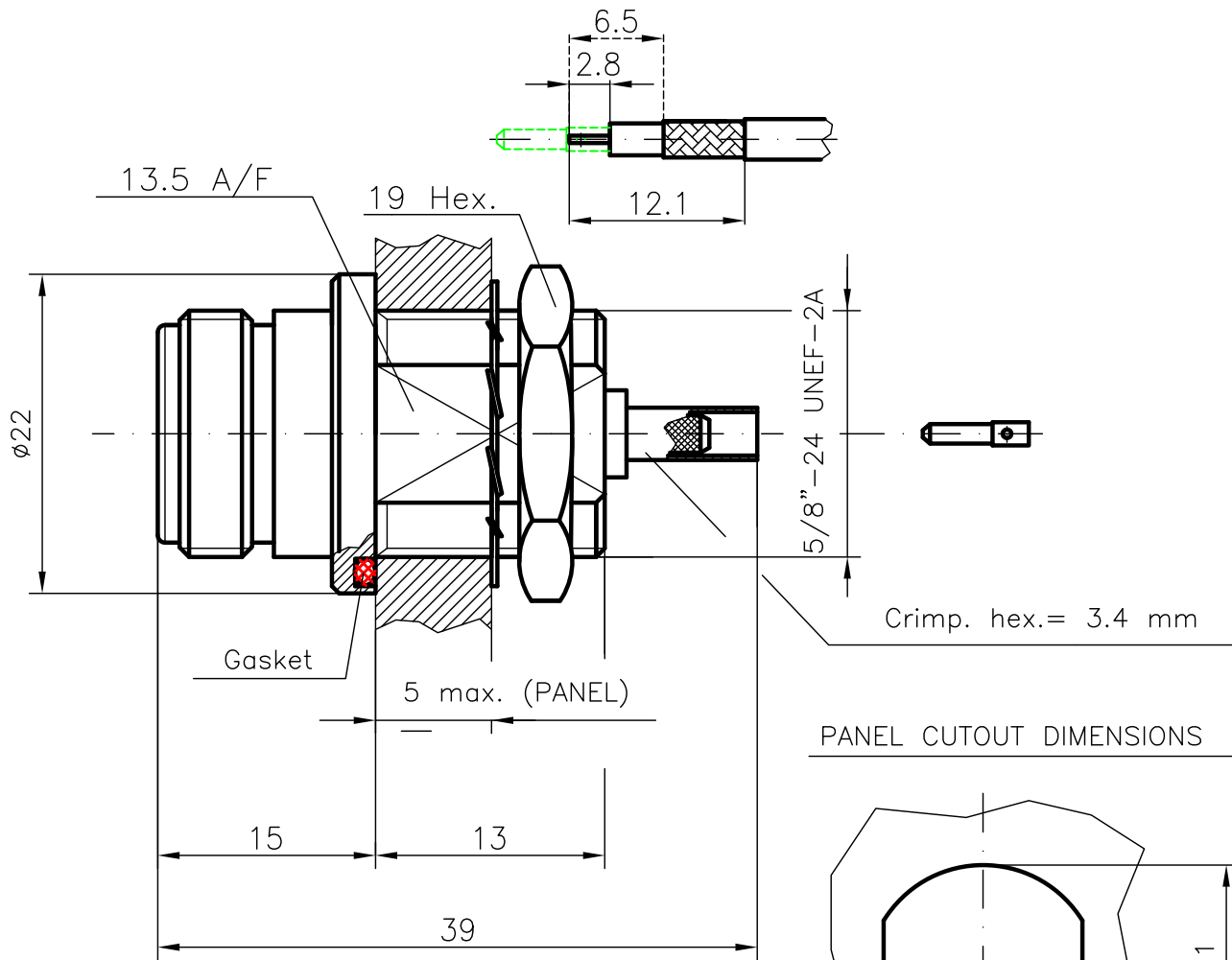


DIST.

A TERMINI DI LEGGE E' VIETATA LA RIPRODUZIONE O LA NOTIFICAZIONE DI QUESTO DISEGNO A TERZI SENZA AUTORIZZAZIONE SCRITTA.



SPECIFICATIONS

Mating and dimensions as per CECC 22210

ELECTRICAL


Frequency range 0 ÷ 1 GHz
 VSWR ≤ 1.10 (25 dB)

MATERIALS AND FINISH

| | | |
|-------------------|-----------------------|-------------|
| Body and locknut | Brass,ISO Cu Zn40 Pb2 | Ni 3 μ min. |
| Center contact | Beryllium copper | Au 1.3 μ |
| Insulator | PTFE | |
| Shakeproof washer | Bronze | Ni 3 μ min. |
| Gasket | Silicone rubber | |

For cables : RG 316 D.S.

MOD. 101C

| | | | | | | |
|-------------|----------------|-------------|--|---------------------|----------------------|---|
| | | | DENOMINAZIONE 50 Ohm - N SERIES COAXIAL CONNECTOR BULKHEAD STRAIGHT SOCKET WITH CRIMP ATTACHMENT | | |  CM s.r.l. -ITALY- |
| | | | SCALA 2 : 1 | CONTR. | DATA 19.07.99 | |
| REV. | N° MOD. | DATA | FILE NPD6402C | APPROV. A.Q. | DIS. | N° CODICE NPD.64.002 |
| ✓ | ISSUED | 01.11.00 | | | | |