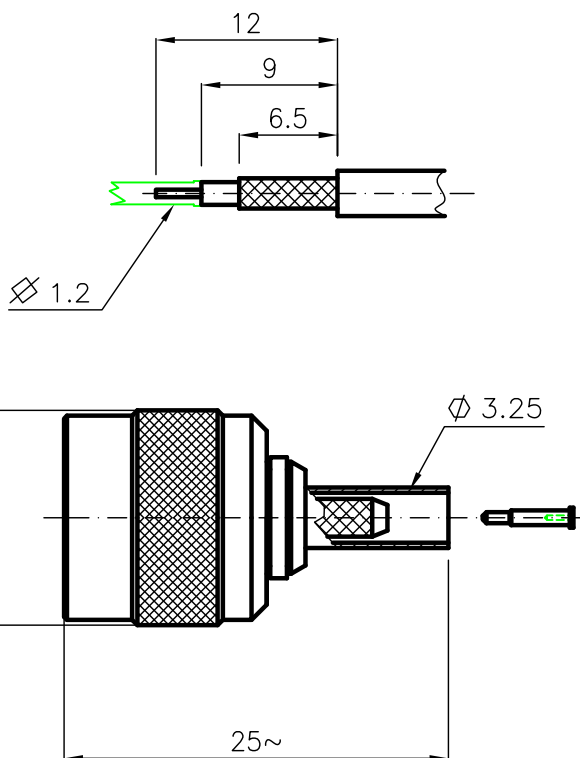


DIST.

A TERMINI DI LEGGE E' VIETATA LA RIPRODUZIONE O LA NOTIFICAZIONE DI QUESTO DISEGNO A TERZI SENZA AUTORIZZAZIONE



SPECIFICATIONS

Mating and dimensions as per CECC 22200

Frequency range 0÷2GHz

VSWR ≤ 1.08 up to 1GHz

≤ 1.15 up to 2GHz

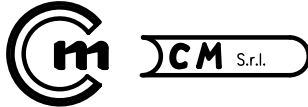
Dielectric withstanding voltage 500V eff. 50Hz max.

MATERIALS AND FINISH

| | | |
|----------------|-------------|--------------|
| Body | Brass | White Bronze |
| Locking nut | Brass | Ni |
| Center contact | Brass | Au |
| Insulator | PTFE | |
| Crimp ferrule | Soft copper | Ni |

For cable: RG 316/U

MOD. 101

| | | | | | | | | | |
|------|---------|--------|----------------------------------------------------------------------|-----------|-------------------|---------------------------------------------------------------------------------------|------|----------|--------------------------------|
| | | | DENOMINAZIONE | | |  | | | |
| | | | 50 Ohm – TNC SERIES CONNECTOR STRAIGHT PLUG WITH CRIMP ATTACHMENT | | | | | | |
| / | | EMESSO | 23.03.04 | SCALA | 2:1 | CONTR. CUCCHI I. | DATA | 23.03.04 | N° CODICE HSD.52.903 |
| REV. | N° MOD. | DATA | FILE | HSD52903C | APPROV. CUCCHI M. | DIS. ARONICA R. | | | |